

# KC 6x4 OR

Heavy Duty Rigid Chassis (6x4)

@ GVW : 53,000kg

Standard Roof Sleeper Cab

Euro 2 ~ Engine



# TECHNICAL SPECIFICATION

## CHASSIS

|                              |                           |
|------------------------------|---------------------------|
| Model                        | : KC 6x4 OR (DFL3258A0FF) |
| Overall Dimension (LxWxH mm) | : 8,350 x 2,500 x 3,210   |
| Wheelbase (mm)               | : 4,200 x 1,350           |
| Front / Rear Over Hand (mm)  | : 1,500 / 900             |
| Min. Ground Clearance (mm)   | : 300 (Fully Laden)       |
| Min. Turning Radius (m)      | : 9.0                     |
| Curb Vehicle Weight (CVW)    | : 10,390kg                |
| Gross Vehicle Weight (GVW)   | : 53,000kg                |

## ENGINE

|                         |  |
|-------------------------|--|
| Model                   | : Yuchai YC6MK340-33 ~ Euro2 Diesel Engine   |
| Type                    | : In-line 6 Cylinder – 4 Cycle, Water Cooled Turbocharged with Intercooler, Direct injection |
| Piston Displacement (L) | : 10.3   |
| Max Output (Hp/Rpm)     | : 250KW (340Hp) at 1,900 rpm   |
| Max. Torque (Nm/Rpm)    | : 1,600 N.m at 1,400 rpm   |
| Bore x Stroke (mm)      | : 123 x 145  |

## TRANSMISSION

|                |  |
|----------------|--|
| Model          | : DC10J170T  |
| Type           | : 10 Speed Forward & 2 Speed Reverse Double Countershaft Synchronizer Gear |
| Operation Type | : Electro-pneumatic shifting gear  |
| Gear Ratio     |  |

|                                |         |
|--------------------------------|---------|
| <b>* Forward Gear</b>          |         |
| 1 <sup>ST</sup>                | : 14.36 |
| 2 <sup>ND</sup>                | : 10.66 |
| 3 <sup>RD</sup>                | : 7.87  |
| 4 <sup>TH</sup>                | : 5.82  |
| 5 <sup>TH</sup>                | : 4.38  |
| 6 <sup>TH</sup>                | : 3.28  |
| 7 <sup>TH</sup>                | : 2.74  |
| 8 <sup>TH</sup>                | : 1.80  |
| 9 <sup>TH</sup>                | : 1.33  |
| 10 <sup>TH</sup>               | : 1.00  |
| <b>*Reverse Gear 1</b> : 14.01 |         |
| <b>*Reverse Gear 2</b> : 3.20  |         |

## CLUTCH

|                |   |
|----------------|---|
| Type           | : Spiral Spring Dry Single Plate                  |
| Diameter (mm)  | : VALEO ~ 430                                     |
| Operation Type | : Hydraulic control with Air Booster-Pulling type |

## FRONT AXLE

|          |                           |
|----------|---------------------------|
| Type     | : Elliot "I" Beam Section |
| Capacity | : 9,000 Kg                |

## REAR AXLE

|                  |   |
|------------------|---|
| Type             | : Double Tandem Axle with axle & wheel lock @ (Hub reduction) |
| Capacity         | : 22,000 Kg + 22,000Kg  |
| Final Gear Ratio | : 5.92  |

## SUSPENSION

|            |   |
|------------|---|
| Front Type | : Multiple Leaf Spring with Double Acting Telescopic Shock Absorber |
| Rear Type  | : Multiple Leaf Spring  |

## STEERING

|      |  |
|------|--|
| Type | : Recirculated Ball with Integral Power Assistance |
|------|--|

## SERVICE BRAKE

|         |   |
|---------|---|
| Type    | : Pneumatic System on all wheels drum with dual Internal Expanding Leading Shoe |
| Control | : Fully Air with Spilt Pneumatic Circuit Control                                |

## TYRE & WHEEL

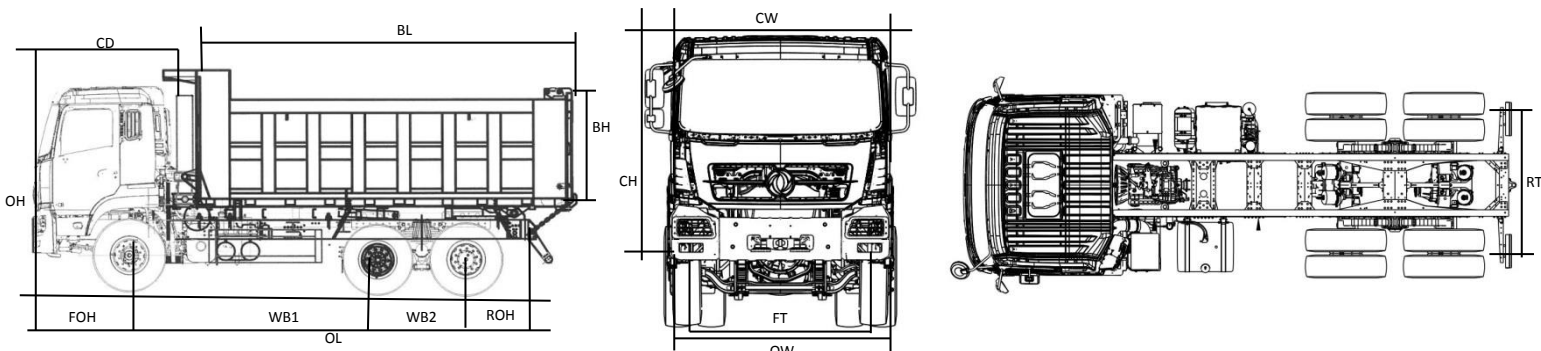
|                   |   |
|-------------------|---|
| Tyre Size         | : 12.00R20 (Tube)                       |
| Wheel Rim Size    | : 9.00 x 22.5– ISO 10 Studs @ Steel rim |
| Max. Speed (Km/h) | : 80                                    |

## FUEL TANK

|                   |       |
|-------------------|-------|
| Capacity (Liters) | : 280 |
|-------------------|-------|

## ELECTRICAL EQUIPMENT

|            |                                      |
|------------|--------------------------------------|
| Type       | : 24 Volts, Negative Earth           |
| Batteries  | : 12V x 2. Series Connection @ 165Ah |
| Alternator | : 28V @ 80 Amps                      |



### Chassis Dimension (mm)

|                     |       |                       |       |                   |       |
|---------------------|-------|-----------------------|-------|-------------------|-------|
| Overall Length (OL) | 8,350 | Wheelbase 1 (WB1)     | 3,800 | Wheelbase 2 (WB2) | 1,350 |
| Overall Width (OW)  | 2,500 | Front Over Hand (FOH) | 1,500 | Front Tread (FT)  | 2,040 |
| Overall Height (OH) | 3,210 | Rear Over Hand (ROH)  | 900   | Rear Tread (RT)   | 1,880 |

### Cabin Dimension (mm)

|                   |       |
|-------------------|-------|
| Cabin Width (CW)  | 2,485 |
| Cabin Height (CH) | 2,678 |
| Cabin Deep (CD)   | 2,066 |

Disclaimer: The Manufacturer reserves the right to make changes to technical parameters & designs or to discontinue models without prior notice.



Headquarters :  
Lot 11, Jalan Perusahaan 2,  
Kawasan Perindustrian PKNS,  
68100 Batu Caves, Selangor Darul Ehsan.

Tel : +603 - 6187 8000  
Fax: +603 - 6187 7000

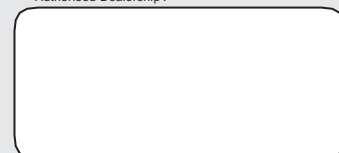
Johor Bahru Branch :  
No.4, PLO 136, Jalan Angkasa Mas 2,  
Kawasan Perindustrian Tebrau II,  
81100 Johor Bahru, Johor Darul  
Takzim.

Tel : +607 - 352 0890  
Fax: +607 - 352 0891

Butterworth Branch :  
Lot 1481, Mukim 14,  
Jalan Raja Uda,  
12300 Butterworth, Penang.

Tel : +604 - 310 8325/26  
Fax: +604 - 310 8327

Authorised Dealership :



**DONGFENG**  
© Version 2018/2019