

KC 8X4

Heavy Duty Rigid Chassis (8x4)
Standard Roof Sleeper Cab
Euro 2 ~ Engine

@ GVW : 31,000kg



TECHNICAL SPECIFICATION

CHASSIS

Model : KC 8X4 (DFL3318A12)
 Overall Dimension (LxWxH mm) : 11,700 x 2,500 x 3,130
 Wheelbase (mm) : 1,850 x 4,800 x 1,350
 Front / Rear Over Hand (mm) : 1,480 / 2,200
 Min. Ground Clearance (mm) : 300 (Fully Laden)
 Min. Turning Radius (m) : 11.0
 Curb Vehicle Weight (CVW) : 11,600kg
 Gross Vehicle Weight (GVW) : 31,000kg

ENGINE

Model : Cummins L375-20 ~ Euro2 Diesel Engine
 Type : In-line 6 Cylinder – 4 Cycle, Water Cooled
 Turbocharged with Intercooler, Direct injection
 Piston Displacement (L) : 9.5
 Max Output (Hp/Rpm) : 276KW (375Hp) at 2,000 rpm
 Max. Torque (Nm/Rpm) : 1,600 N.m at 1,400 rpm
 Bore x Stroke (mm) : 116.5 x 148

TRANSMISSION

Model : Fast 12JSD180T
 Type : 12 Speed Forward & 2 Speed Reverse
 Double Countershaft Synchronizer Gear
 Operation Type : Electro-pneumatic shifting gear
 Gear Ratio

* Forward Gear	
1 ST	: 15.53
2 ND	: 12.08
3 RD	: 9.39
4 TH	: 7.33
5 TH	: 5.73
6 TH	: 4.46
7 TH	: 3.48
8 TH	: 2.71
9 TH	: 2.10
10 TH	: 1.64
11 TH	: 1.28
12 TH	: 1.00
*Reverse Gear 1 : 14.86	
*Reverse Gear 2 : 3.33	

CLUTCH

Type : Spiral Spring Dry Single Plate
 Diameter (mm) : SACHS ~ 430
 Operation Type : Hydraulic control with Air Booster-Pulling type

FRONT AXLE

Type : Elliot "I" Beam Section
 Capacity : 9,000 Kg + 9,000Kg

REAR AXLE

Type : Tandem Axle with axle & wheel lock @
 (Single reduction)
 Capacity : 16,000 Kg + 16,000Kg
 Final Gear Ratio : 4.875 : 1

SUSPENSION

Front Type : Multiple Leaf Spring with Shock Absorber
 Rear Type : Multiple Leaf Spring

STEERING

Type : Recirculated Ball with Integral Power Assistance

SERVICE BRAKE

Type : Pneumatic System on all wheels drum with
 dual Internal Expanding Leading Shoe
 Control : Fully Air with Spilt Pneumatic Circuit Control

TYRE & WHEEL

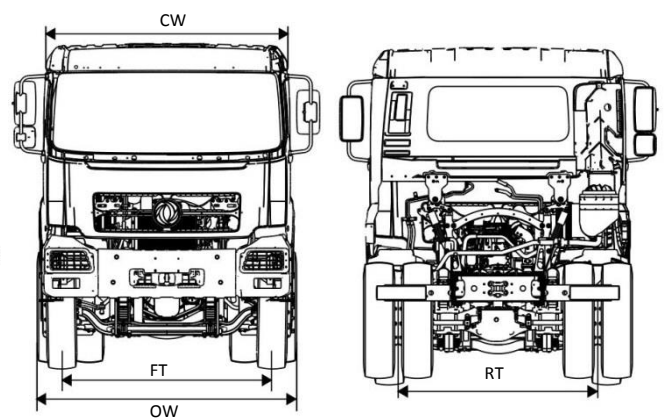
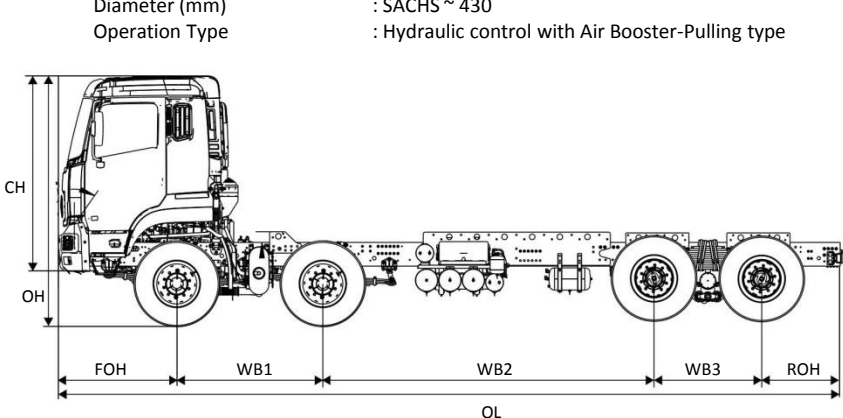
Tyre Size : 295/80 R22.5(Tubeless)
 Wheel Rim Size : 9.00 x 22.5 – ISO 10 Studs @ Steel rim
 Max. Speed (Km/h) : 80

FUEL TANK

Capacity (Liters) : 350

ELECTRICAL EQUIPMENT

Type : 24 Volts, Negative Earth
 Batteries : 12V x 2. Series Connection @ 165Ah
 Alternator : 28V @ 80 Amps



Chassis Dimension (mm)

Cabin Dimension (mm)

Overall Length (OL)	11,700	Wheelbase 2 (WB2)	4,800	Wheelbase 3 (WB3)	1,350	Cabin Width (CW)	2,427
Overall Width (OW)	2,500	Front Over Hand (FOH)	1,480	Front Tread (FT)	2,040	Cabin Height (CH)	2,403
Overall Height (OH)	3,130	Rear Over Hand (ROH)	2,200	Rear Tread (RT)	1,880	Cabin Deep (CD)	2,119

Disclaimer: The Manufacturer reserves the right to make changes to technical parameters & designs or to discontinue models without prior notice.



Headquarters :
 Lot 11, Jalan Perusahaan 2,
 Kawasan Perindustrian PKNS,
 68100 Batu Caves, Selangor Darul Ehsan.

Tel : +603 - 6187 8000
 Fax: +603 - 6187 7000

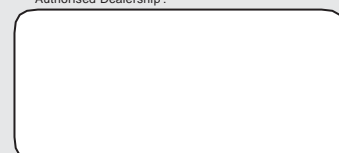
Johor Bahru Branch :
 No.4, PLO 136, Jalan Angkasa Mas 2,
 Kawasan Perindustrian Tebrau II,
 81100 Johor Bahru, Johor Darul
 Takzim.

Tel : +607 - 352 0890
 Fax: +607 - 352 0891

Butterworth Branch :
 Lot 1481, Mukim 14,
 Jalan Raja Uda,
 12300 Butterworth, Penang.

Tel : +604 - 310 8325/26
 Fax: +604 - 310 8327

Authorised Dealership:



DONGFENG
 © Version 2018/2019