

# KC 8X4 CM

Heavy Duty Rigid Chassis (8x4)

@ GVW : 31,000kg

Standard Roof Sleeper Cab

Euro 2 ~ Engine



# TECHNICAL SPECIFICATION

## CHASSIS

Model	: KC 8X4 CM (DFL3318A12)
Overall Dimension (LxWxH mm)	: 9,900 x 2,500 x 3,130
Wheelbase (mm)	: 1,850 x 3,000 x 1,350
Front / Rear Over Hand (mm)	: 1,480 / 2,200
Min. Ground Clearance (mm)	: 300 (Fully Laden)
Min. Turning Radius (m)	: 11.0
Curb Vehicle Weight (CVW)	: 11,600kg
Gross Vehicle Weight (GVW)	: 31,000kg

## ENGINE

Model	: Cummins L375-20 ~ Euro2 Diesel Engine
Type	: In-line 6 Cylinder – 4 Cycle, Water Cooled Turbocharged with Intercooler, Direct injection
	: 9.5
Piston Displacement (L)	: 276KW (375Hp) at 2,000 rpm
Max Output (Hp/Rpm)	: 1,600 N.m at 1,400 rpm
Max. Torque (Nm/Rpm)	: 116.5 x 148
Bore x Stroke (mm)	

## TRANSMISSION

Model	: Fast 12JSD180T
Type	: 12 Speed Forward & 2 Speed Reverse Double Countershaft Synchronizer Gear
Operation Type	: Electro-pneumatic shifting gear
Gear Ratio	

### \* Forward Gear

1 <sup>ST</sup> : 15.53	8 <sup>TH</sup> : 2.71
2 <sup>ND</sup> : 12.08	9 <sup>TH</sup> : 2.10
3 <sup>RD</sup> : 9.39	10 <sup>TH</sup> : 1.64
4 <sup>TH</sup> : 7.33	11 <sup>TH</sup> : 1.28
5 <sup>TH</sup> : 5.73	12 <sup>TH</sup> : 1.00
6 <sup>TH</sup> : 4.46	*Reverse Gear 1 : 14.86
7 <sup>TH</sup> : 3.48	*Reverse Gear 2 : 3.33

## CLUTCH

Type	: Spiral Spring Dry Single Plate
Diameter (mm)	: SACHS ~ 430
Operation Type	: Hydraulic control with Air Booster-Pulling type

## MIXER DRUM AND DRIVING SYSTEM

Manufacturer	: Dongfeng Suizhou Special Vehicle Co.,
Drum Volume (m <sup>3</sup> )	: 12
Availability Loading Volume (m <sup>3</sup> )	: 13.8
Charge Speed	: ≥3
Discharge Speed	: ≥2
Surplus (%)	: <0.7
Slump	: 40 ~ 230
Drum Speed (rpm)	: 6
Inclination of Mixing Drum	: 14.0

## DISCHARGE CHUTE

Type	: Shoulder-Fired, Hand-Cranked
------	--------------------------------

## FRONT AXLE

Type	: Elliot "I" Beam Section
Capacity	: 9,000 Kg + 9,000Kg

## REAR AXLE

Type	: Tandem Axle with axle & wheel lock @ (Single reduction)
Capacity	: 16,000 Kg + 16,000Kg
Final Gear Ratio	: 4.875 : 1

## SUSPENSION

Front Type	: Multiple Leaf Spring with Shock Absorber
Rear Type	: Multiple Leaf Spring

## STEERING

Type	: Recirculated Ball with Integral Power Assistance
------	--

## SERVICE BRAKE

Type	: Pneumatic System on all wheels drum with dual Internal Expanding Leading Shoe
Control	: Fully Air with Spilt Pneumatic Circuit Control

## AUXILIARY BRAKE

Parking Brake Type	: Spring brake action on rear axle
Exhaust Brake Type	: Fully Air with Spilt Pneumatic Circuit Control

## TYRE & WHEEL

Tyre Size	: 295/80 R22.5(Tubeless)
Wheel Rim Size	: 9.00 x 22.5 – ISO 10 Studs @ Steel rim
Max. Speed (Km/h)	: 80

## FUEL TANK

Capacity (Liters)	: 350
-------------------	-------

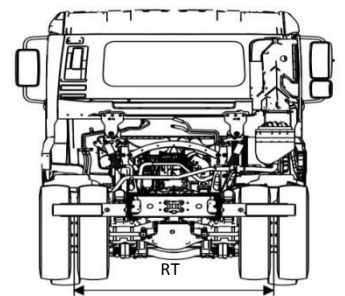
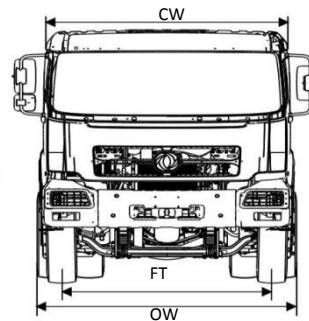
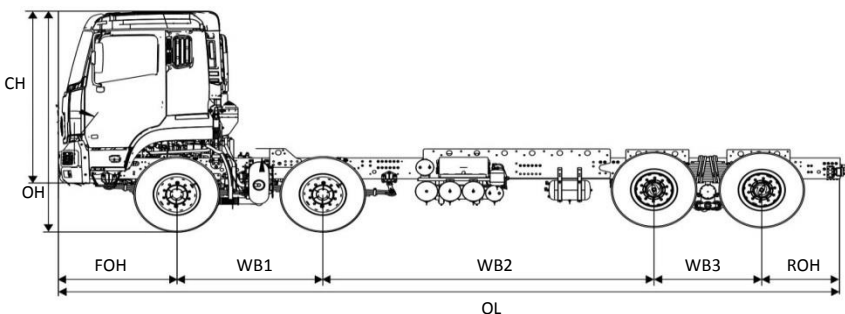
## ELECTRICAL EQUIPMENT

Type	: 24 Volts, Negative Earth
Batteries	: 12V x 2. Series Connection @ 165Ah
Alternator	: 28V @ 80 Amps

Hydraulic Pump Type	: Rexroth Germany A10VGT090HW200
Hydraulic Pump Type	: Rexroth Germany A2FMT090
Reducer	: PMP.PMB7YR120
Water Tank Volume	: 450 Kg
Drum Weight	: 5120 Kg (including Components)
Drum Thickness	: 6 mm
Drum Dish End Cover	: 8 mm
Type	: Dry Mix
Thickness	: 6 mm

## ELECTRICAL EQUIPMENT

Type	: Remote Throttle Control
------	---------------------------



Chassis Dimension (mm)

Cabin Dimension (mm)

Overall Length (OL)	9,900	Wheelbase 2 (WB2)	3,000	Wheelbase 3 (WB3)	1,350	Cabin Width (CW)	2,427
Overall Width (OW)	2,500	Front Over Hand (FOH)	1,500	Front Tread (FT)	2,040	Cabin Height (CH)	2,403
Overall Height (OH)	3,130	Rear Over Hand (ROH)	1,400	Rear Tread (RT)	1,880	Cabin Deep (CD)	2,119

Disclaimer: The Manufacturer reserves the right to make changes to technical parameters & designs or to discontinue models without prior notice.



Headquarters :  
Lot 11, Jalan Perusahaan 2,  
Kawasan Perindustrian PKNS,  
68100 Batu Caves, Selangor Darul Ehsan.

Tel : +603 - 6187 8000  
Fax: +603 - 6187 7000

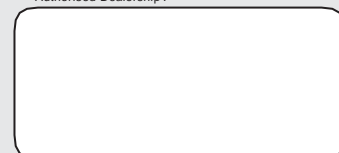
Johor Bahru Branch :  
No.4, PLO 136, Jalan Angkasa Mas 2,  
Kawasan Perindustrian Tebrau II,  
81100 Johor Bahru, Johor Darul  
Takzim.

Tel : +607 - 352 0890  
Fax: +607 - 352 0891

Butterworth Branch :  
Lot 1481, Mukim 14,  
Jalan Raja Uda,  
12300 Butterworth, Penang.

Tel : +604 - 310 8325/26  
Fax: +604 - 310 8327

Authorised Dealership :



**DONGFENG**  
© Version 2018/2019